

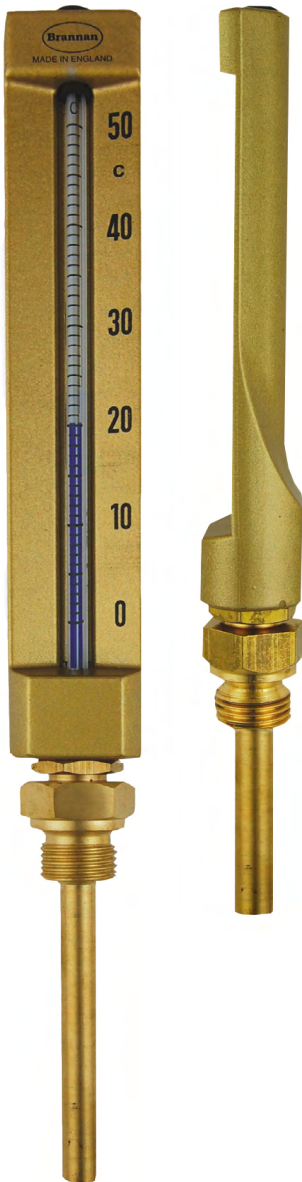
Product data sheet

✉ sales@brannan.co.uk

☎ +44 (0)1946 816600

🌐 brannan.co.uk

VT010 - STRAIGHT V-LINE THERMOMETERS



Features:

- Glass thermometer in heavy duty protective housing
- Reliable instrument with no moving parts
- Wide choice of pocket lengths and temperature ranges
- Customer branded products available subject to quantity
- Replacement thermometer tubes available (to order, substitute last digit of product number for "6" ie replacement tube for 81/090/0 is 81/090/6)
- **Brannan** quality and accuracy
- For indoor, outdoor and high humidity installations
- Manufactured to DIN 16195
- For accuracy, see above standard
- Made in UK
- Supplied in individual box

Standard product specifications:

Case lengths	110mm, 150mm & 200mm
Ranges	-30 to +200°C only or °C&F
Case	< +120°C: polypropylene > +160°C: painted aluminium
Form	Straight
Glass filling	Blue spirit
Connection	1/2" BSP
Pocket	Brass (stainless steel available on request)
Pocket lengths	30mm, 40mm, 50mm, 63mm, 75mm, 100mm, 160mm, 200mm, 250mm x 10mm diameter

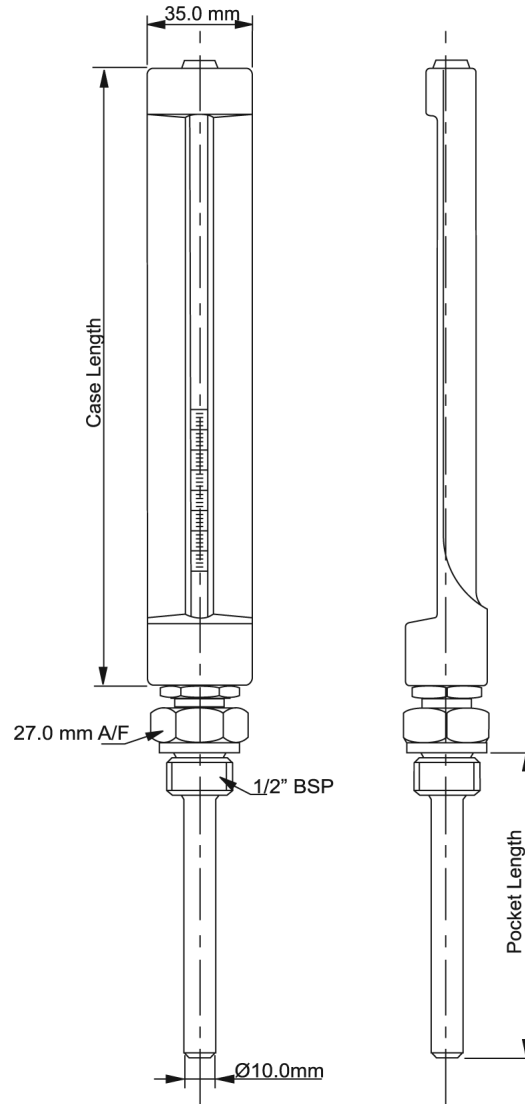
Product data sheet

✉ sales@brannan.co.uk

☎ +44 (0)1946 816600

🌐 brannan.co.uk

Dimensions:




Standard product numbers - 110mm case:

Range	Divs	30mm Pocket	40mm Pocket	50mm Pocket	63mm Pocket	75mm Pocket	100mm Pocket	160mm Pocket	200mm Pocket	250mm Pocket
-30 to +50°C	1°C	87/090/0	87/091/0	87/092/0	87/093/0	87/094/0	87/095/0	87/096/0	87/099/0	87/097/0
-30 to +50°C&F	1°C	87/100/0	87/101/0	87/102/0	87/103/0	87/104/0	87/105/0	87/106/0	87/109/0	87/107/0
0 to +50°C	1°C	87/150/0	87/151/0	87/152/0	87/153/0	87/154/0	87/155/0	87/156/0	87/159/0	87/157/0
0 to +50°C&F	1°C	87/160/0	87/161/0	87/162/0	87/163/0	87/164/0	87/165/0	87/166/0	87/169/0	87/167/0
0 to +60°C	1°C	87/170/0	87/171/0	87/172/0	87/173/0	87/174/0	87/175/0	87/176/0	87/179/0	87/177/0
0 to +60°C&F	1°C	87/140/0	87/141/0	87/142/0	87/143/0	87/144/0	87/145/0	87/146/0	87/149/0	87/147/0
0 to +100°C	1°C	87/190/0	87/191/0	87/192/0	87/193/0	87/194/0	87/195/0	87/196/0	87/199/0	87/197/0
0 to +100°C&F	1°C	87/180/0	87/181/0	87/182/0	87/183/0	87/184/0	87/185/0	87/186/0	87/189/0	87/187/0
0 to +120°C	1°C	87/220/0	87/221/0	87/222/0	87/223/0	87/224/0	87/225/0	87/226/0	87/229/0	87/227/0
0 to +120°C&F	1°C	87/230/0	87/231/0	87/232/0	87/233/0	87/234/0	87/235/0	87/236/0	87/239/0	87/237/0
0 to +160°C	2°C	87/290/0	87/291/0	87/292/0	87/293/0	87/294/0	87/295/0	87/296/0	87/299/0	87/297/0
0 to +160°C&F	2°C	87/300/0	87/301/0	87/302/0	87/303/0	87/304/0	87/305/0	87/306/0	87/309/0	87/307/0
0 to +200°C	2°C	87/320/0	87/321/0	87/322/0	87/323/0	87/324/0	87/325/0	87/326/0	87/329/0	87/327/0
0 to +200°C&F	2°C	87/330/0	87/331/0	87/332/0	87/333/0	87/334/0	87/335/0	87/336/0	87/339/0	87/337/0

Product data sheet

 sales@brannan.co.uk

 +44 (0)1946 816600

 brannan.co.uk

Standard product numbers - 150mm case:

Range	Divs	30mm Pocket	40mm Pocket	50mm Pocket	63mm Pocket	75mm Pocket	100mm Pocket	160mm Pocket	200mm Pocket	250mm Pocket
-30 to +50°C	1°C	84/090/0	84/091/0	84/092/0	84/093/0	84/094/0	84/095/0	84/096/0	84/099/0	84/097/0
-30 to +50°C&F	1°C	84/100/0	84/101/0	84/102/0	84/103/0	84/104/0	84/105/0	84/106/0	84/109/0	84/107/0
0 to +50°C	1°C	84/150/0	84/151/0	84/152/0	84/153/0	84/154/0	84/155/0	84/156/0	84/159/0	84/157/0
0 to +50°C&F	1°C	84/160/0	84/161/0	84/162/0	84/163/0	84/164/0	84/165/0	84/166/0	84/169/0	84/167/0
0 to +60°C	1°C	84/170/0	84/171/0	84/172/0	84/173/0	84/174/0	84/175/0	84/176/0	84/179/0	84/177/0
0 to +60°C&F	1°C	84/140/0	84/141/0	84/142/0	84/143/0	84/144/0	84/145/0	84/146/0	84/149/0	84/147/0
0 to +100°C	1°C	84/190/0	84/191/0	84/192/0	84/193/0	84/194/0	84/195/0	84/196/0	84/199/0	84/197/0
0 to +100°C&F	1°C	84/180/0	84/181/0	84/182/0	84/183/0	84/184/0	84/185/0	84/186/0	84/189/0	84/187/0
0 to +120°C	1°C	84/220/0	84/221/0	84/222/0	84/223/0	84/224/0	84/225/0	84/226/0	84/229/0	84/227/0
0 to +120°C&F	1°C	84/230/0	84/231/0	84/232/0	84/233/0	84/234/0	84/235/0	84/236/0	84/239/0	84/237/0
0 to +160°C	2°C	84/290/0	84/291/0	84/292/0	84/293/0	84/294/0	84/295/0	84/296/0	84/299/0	84/297/0
0 to +160°C&F	2°C	84/300/0	84/301/0	84/302/0	84/303/0	84/304/0	84/305/0	84/306/0	84/309/0	84/307/0
0 to +200°C	2°C	84/320/0	84/321/0	84/322/0	84/323/0	84/324/0	84/325/0	84/326/0	84/329/0	84/327/0
0 to +200°C&F	2°C	84/330/0	84/331/0	84/332/0	84/333/0	84/334/0	84/335/0	84/336/0	84/339/0	84/337/0

Standard product numbers - 200mm case:

Range	Divs	30mm Pocket	40mm Pocket	50mm Pocket	63mm Pocket	75mm Pocket	100mm Pocket	160mm Pocket	200mm Pocket	250mm Pocket
-30 to +50°C	1°C	81/090/0	81/091/0	81/092/0	81/093/0	81/094/0	81/095/0	81/096/0	81/099/0	81/097/0
-30 to +50°C&F	1°C	81/100/0	81/101/0	81/102/0	81/103/0	81/104/0	81/105/0	81/106/0	81/109/0	81/107/0
-10 to +60°C&F	1°C	-	-	-	74/213/0*	-	74/219/0*	-	-	-
0 to +50°C	1°C	81/150/0	81/151/0	81/152/0	81/153/0	81/154/0	81/155/0	81/156/0	81/159/0	81/157/0
0 to +50°C&F	1°C	81/160/0	81/161/0	81/162/0	81/163/0	81/164/0	81/165/0	81/166/0	81/169/0	81/167/0
0 to +60°C	1°C	81/170/0	81/171/0	81/172/0	81/173/0	81/174/0	81/175/0	81/176/0	81/179/0	81/177/0
0 to +60°C&F	1°C	81/140/0	81/141/0	81/142/0	81/143/0	81/144/0	81/145/0	81/146/0	81/149/0	81/147/0
0 to +100°C	1°C	81/190/0	81/191/0	81/192/0	81/193/0	81/194/0	81/195/0	81/196/0	81/199/0	81/197/0
0 to +100°C&F	1°C	81/180/0	81/181/0	81/182/0	81/183/0	81/184/0	81/185/0	81/186/0	81/189/0	81/187/0
0 to +120°C	1°C	81/220/0	81/221/0	81/222/0	81/223/0	81/224/0	81/225/0	81/226/0	81/229/0	81/227/0
0 to +120°C&F	1°C	81/230/0	81/231/0	81/232/0	81/233/0	81/234/0	81/235/0	81/236/0	81/239/0	81/237/0
0 to +120°C&F	1°C	-	-	-	74/215/0*	-	74/223/0*	-	-	-
0 to +160°C	2°C	81/290/0	81/291/0	81/292/0	81/293/0	81/294/0	81/295/0	81/296/0	81/299/0	81/297/0
0 to +160°C&F	2°C	81/300/0	81/301/0	81/302/0	81/303/0	81/304/0	81/305/0	81/306/0	81/309/0	81/307/0
0 to +200°C	2°C	81/320/0	81/321/0	81/322/0	81/323/0	81/324/0	81/325/0	81/326/0	81/329/0	81/327/0
0 to +200°C&F	2°C	81/330/0	81/331/0	81/332/0	81/333/0	81/334/0	81/335/0	81/336/0	81/339/0	81/337/0

* Although low range, these instruments are in metal cases, not standard polypropylene

Product data sheet

110mm Case product weights - for ranges up to 120°C (plastic case)

Components for Ranges up to 120°C	30mm Pocket	40mm Pocket	50mm Pocket	63mm Pocket	75mm Pocket	100mm Pocket	160mm Pocket	200mm Pocket	250mm Pocket
Pocket	109g	111.5g	114g	119g	120g	126g	147g	159g	169g
Tube	10g	12g	14g	16g	19g	21g	30g	35g	41g
110mm Plastic Case	48g	48g	48g	48g	48g	48g	48g	48g	48g
Plug and washers	3g	3g	3g	3g	3g	3g	3g	3g	3g
NET TOTAL WEIGHT	170g	175g	179g	186g	190g	198g	228g	245g	261g
Box / * bubble wrap only	33g	33g	33g	33g	33g	33g	36g	3g*	3g*
GROSS TOTAL WEIGHT	203g	208g	212g	219g	223g	231g	261g	248g	264g

110mm Case product weights - for ranges over to 160°C (metal case)

Components for Ranges over to 160°C	30mm Pocket	40mm Pocket	50mm Pocket	63mm Pocket	75mm Pocket	100mm Pocket	160mm Pocket	200mm Pocket	250mm Pocket
Pocket	109g	111.5g	114g	119g	120g	126g	147g	159g	169g
Tube	10g	12g	14g	16g	19g	21g	30g	35g	41g
110mm Metal Case	85g	85g	85g	85g	85g	85g	85g	85g	85g
Plug and washers	3g	3g	3g	3g	3g	3g	3g	3g	3g
NET TOTAL WEIGHT	207g	212g	216g	223g	227g	235g	265g	282g	398g
Box / * bubble wrap only	33g	33g	33g	33g	33g	33g	36g	3g*	3g*
GROSS TOTAL WEIGHT	240g	245g	249g	256g	260g	268g	301g	285g	301g

150mm Case product weights - for ranges up to 120°C (plastic case)

Components for Ranges up to 120°C	30mm Pocket	40mm Pocket	50mm Pocket	63mm Pocket	75mm Pocket	100mm Pocket	160mm Pocket	200mm Pocket	250mm Pocket
Pocket	109g	111.5g	114g	119g	120g	126g	147g	159g	169g
Tube	10g	12g	14g	16g	19g	21g	30g	35g	41g
150mm Plastic Case	59g	59g	59g	59g	59g	59g	59g	59g	59g
Plug and washers	3g	3g	3g	3g	3g	3g	3g	3g	3g
NET TOTAL WEIGHT	181g	185g	190g	197g	201g	219g	239g	256g	272g
Box / * bubble wrap only	33g	33g	33g	33g	33g	33g	36g	3g*	3g*
GROSS TOTAL WEIGHT	214g	218g	223g	230g	234g	242g	275g	259g	275g

150mm Case product weights - for ranges over to 160°C (metal case)

Components for Ranges over to 160°C	30mm Pocket	40mm Pocket	50mm Pocket	63mm Pocket	75mm Pocket	100mm Pocket	160mm Pocket	200mm Pocket	250mm Pocket
Pocket	109g	111.5g	114g	119g	120g	126g	147g	159g	169g
Tube	10g	12g	14g	16g	19g	21g	30g	35g	41g
150mm Metal Case	114g	114g	114g	114g	114g	114g	114g	114g	114g
Plug and washers	3g	3g	3g	3g	3g	3g	3g	3g	3g
NET TOTAL WEIGHT	236g	241g	245g	252g	256g	264g	294g	311g	327g
Box / * bubble wrap only	33g	33g	33g	33g	33g	33g	36g	3g*	3g*
GROSS TOTAL WEIGHT	269g	274g	278g	285g	289g	297g	330g	314g	330g

Packaging details for 110mm & 150mm cases

V-Lines with pocket lengths of up to 160mm are packed in individual boxes.

Pocket lengths over 160mm are wrapped individually in protective plastic bubble sheeting.*

Box dimensions: Pocket lengths up to 100mm - 297 x 38 x 34mm

Pocket lengths up to 160mm - 304 x 38 x 34mm

Product data sheet

✉ sales@brannan.co.uk

☎ +44 (0)1946 816600

🌐 brannan.co.uk

200mm Case product weights - for ranges up to 120°C (plastic case):

Components for ranges up to 120°C	30mm Pocket	40mm Pocket	50mm Pocket	63mm Pocket	75mm Pocket	100mm Pocket	160mm Pocket	200mm Pocket	250mm Pocket
Pocket	109g	112g	114g	119g	120g	126g	147g	159g	169g
Tube	10g	12g	14g	16g	19g	21g	30g	35g	41g
200mm Plastic case	76g	76g	76g	76g	76g	76g	76g	76g	76g
Plug and washers	3g	3g	3g	3g	3g	3g	3g	3g	3g
NET TOTAL WEIGHT	198g	213g	207g	214g	218g	226g	256g	273g	289g
Box / *bubble wrap only	35g	35g	35g	35g	35g	35g	42g	*3g	*3g
GROSS TOTAL WEIGHT	233g	248g	287g	249g	253g	261g	298g	276g	292g

200mm Case product weights - for ranges over to 160°C (metal case):

Components for ranges over to 160°C	30mm Pocket	40mm Pocket	50mm Pocket	63mm Pocket	75mm Pocket	100mm Pocket	160mm Pocket	200mm Pocket	250mm Pocket
Pocket	109g	112g	114g	119g	120g	126g	147g	159g	169g
Tube	10g	12g	14g	16g	19g	21g	30g	35g	41g
200mm Metal case	129g	129g	129g	129g	129g	129g	129g	129g	129g
Plug and washers	3g	3g	3g	3g	3g	3g	3g	3g	3g
NET TOTAL WEIGHT	256g	261g	265g	272g	276g	284g	314g	331g	347g
Box / *bubble wrap only	35g	35g	35g	35g	35g	35g	42g	*3g	*3g
GROSS TOTAL WEIGHT	286g	191g	295g	302g	306g	314g	351g	329g	345g

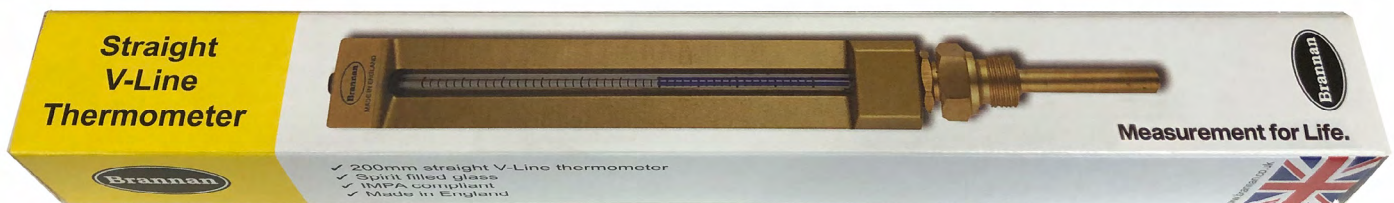
Packaging details:

V-Lines with pocket lengths of up to 160mm are packing in individual boxes.

Pocket lengths over 160mm are wrapped individually in protective plastic bubble sheeting.*

Box dimensions: Pocket lengths up to 100mm - 336 x 38 x 34mm

Pocket lengths up to 160mm - 398 x 38 x 34mm



Product data sheet

Replacement V-line pockets:

- Available in brass or stainless steel
- 1/2" BSP connection (3/8" BSP and NPT options available on request)
- Thread connection for straight V-Line case
- Brass pockets available in 30mm, 40mm, 50mm, 63mm, 75mm, 100mm, 160mm, 200mm, 250mm & 400mm lengths
- Stainless steel pockets available in 30mm, 40mm, 50mm, 63mm, 75mm, 100mm and 160mm lengths



Pocket length	1/2" BSP Pockets	
	Brass	Stainless steel
30mm	95/616/0	95/658/0
40mm	95/617/0	95/656/0
50mm	95/618/0	95/649/0
63mm	95/607/0	95/650/0
75mm	95/619/0	95/659/0
100mm	95/608/0	95/651/0
160mm	95/612/0	95/652/0
200mm	95/609/0	-
250mm	95/623/0	-
400mm	95/624/0	-

Replacement V-line tubes:

Replacement thermometer tubes available (to order, substitute last digit of product number for "6" ie replacement tube for 81/090/0 is 81/090/6)

- Available to fit all case sizes and stem lengths
- Wide choice of temperature ranges
- Brass pockets available in 30mm, 40mm, 50mm, 63mm, 75mm, 100mm, 160mm, 200mm, 250mm & 400mm lengths
- Stainless steel pockets available in 30mm, 40mm, 50mm, 63mm, 75mm, 100mm and 160mm lengths



V-line over-pockets:

- Pockets / thermowells for use with V-line thermometers
- Allows V-line thermometers to be removed while system is filled
- Available in chrome plated mild steel or stainless steel
- For 1/2" BSP female x 1/2" BSP male V-lines
- Chrome plated mild steel over-pocket to suit 63mm or 100mm pockets in 75mm or 110mm lengths
- Stainless steel over-pocket to suit 63mm, 100mm or 160mm pockets in 75mm, 110mm or 170mm lengths
- Stainless steel over-pocket for use with corrosive liquids



Pocket length	Chrome plated over-pockets	
	To suit 1/2" BSP 63mm pocket	To suit 1/2" BSP 100mm pocket
75mm	62/065/0	-
110mm	-	62/067/0

Pocket length	Stainless steel over-pockets		
	To suit 1/2" BSP 63mm pocket	To suit 1/2" BSP 100mm pocket	To suit 1/2" BSP 160mm pocket
75mm	62/068/0	-	-
110mm	-	62/070/0	-
170mm	-	-	62/071/0

View me on the website

