

Importør:
Impex Produkter AS
Gamle Drammensvei 107
1363 Høvik
www.impex.no
info@impex.no
Tel.: 22 32 77 20



CE



Kat. Nr. 30.3034.01

Fig. 1

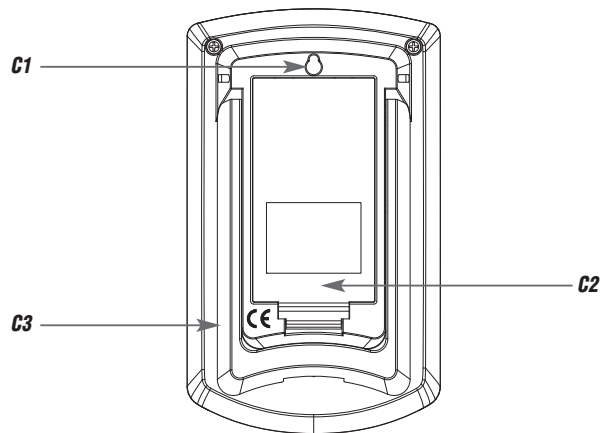
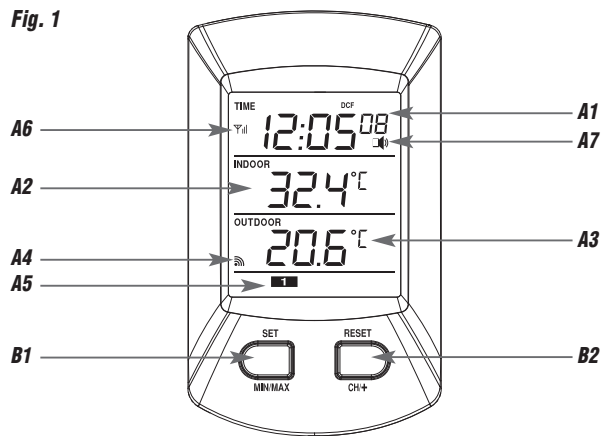
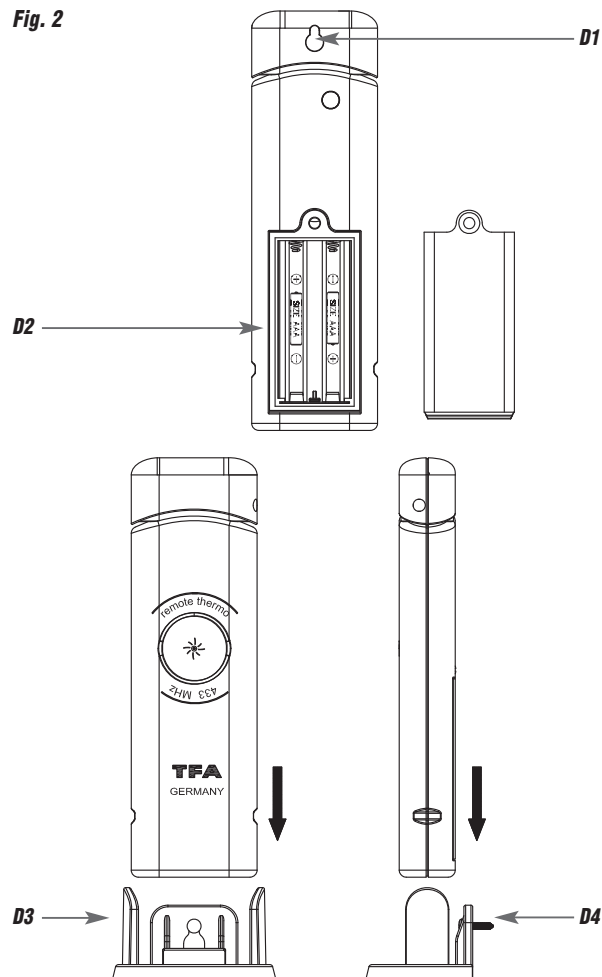


Fig. 2



RATIO – Wireless thermometer



- *Unauthorised repairs, modifications or changes to the product are prohibited.*



Caution! **Risk of injury:**

- *Keep these instruments and their batteries out of the reach of children.*
- *Batteries must not be thrown into a fire, short-circuited, taken apart or recharged. Risk of explosion!*
- *Batteries contain harmful acids. Low batteries should be changed as soon as possible to prevent damage caused by a leaking battery. Never use a combination of old and new batteries together, nor batteries of different types. Wear chemical-resistant protective gloves and safety glasses when handling leaking batteries.*



Important information on product safety!

- *Do not place your product near extreme temperatures, vibrations or shocks.*
- *Protect it from moisture.*
- *The outdoor transmitter is protected against splash water, but is not watertight. Choose a shady and dry position for the transmitter.*

5. Elements (Fig. 1)

5.1 Receiver (Display unit)

LCD

- A1: Clock
- A2: Indoor temperature
- A3: Outdoor temperature
- A4: Outdoor temperature wave icon
- A5: Channel number
- A4: Outdoor temperature wave icon
- A5: Channel number
- A6: Radio-controlled time symbol
- A7: Alarm symbol

Buttons

- B1: **SET/MIN/MAX** button
- B2: **RESET/CH/+** button

RATIO – Wireless thermometer



Housing

- C1: Wall mount hole
- C2: Battery compartment
- C3: Stand (fold out)

5.2. Transmitter (Fig. 2)

- D1: Wall mount hole
- D2: Battery compartment
- D3: Support for table standing
- D4: Support for wall mounting

6. Getting started

6.1 Insert batteries

- *Open the battery compartment of the display unit and the transmitter (screwed) and place both instruments on a desk with a distance of approximately 1.5 meter. Check that no other electronic devices are close.*
- *Insert the batteries 2 x 1,5 V AAA into the battery compartment of the transmitter and immediately afterwards 2 x 1,5 V AA in the display unit, observing the correct polarity.*
- *A brief beep tone will sound and all LCD segments will light up for a short moment.*

6.2 Reception of outdoor temperature

- *The display unit automatically starts scanning the 433 MHz signal to register the transmitter unit after batteries are inserted. 📶 appears for 3 minutes on the LCD of the display unit.*
- **Note:** *DO NOT PRESS ANY KEY during the learning period. If the outdoor temperature is not displayed or if any key is pressed before the outdoor temperature signal is received and when changing batteries you will need to follow the battery installation procedure again. Please wait 10 seconds before inserting the batteries again.*
- *You can also start the outdoor transmitter search manually later on (for example when the outdoor transmitter is lost or the batteries are changed).*
- *Press the **RESET/CH/+** button for 3 seconds. “---” and 📶 are displayed.*

RATIO – Wireless thermometer



6.3 Radio-controlled time reception

- The clock will scan the DCF frequency signal (max. 10 min.) and the DCF symbol flashes on the LCD.
- When the signal is received successfully, the radio-controlled time and the DCF symbol appear permanently.
- If the reception fails, scanning stops and will be repeated every hour.
- The time base for the radio-controlled time is a Caesium Atomic Clock operated by the Physikalisch Technische Bundesanstalt Braunschweig which has a time deviation of less than one second in one million years. The time is coded and transmitted from Mainflingen near Frankfurt via frequency signal DCF-77 (77.5 kHz) and has a transmitting range of approximately 1,500 km. Your radio-controlled clock receives this signal and converts it to show the precise time in summer or wintertime. The quality of the reception depends greatly on the geographic location. In normal cases, there should be no reception problems within a 1,500 km radius around Frankfurt.

Please take note of the following:

- The recommended distance from any interfering sources like computer monitors or TV sets is a minimum of 1.5 - 2 metres.
- Within ferro-concrete rooms (basements, superstructures), the received signal is naturally weakened. In extreme cases, please place the unit close to a window and/or point its front or back towards the Frankfurt transmitter.
- During night-time, the atmospheric disturbances are usually less severe and reception is possible in most cases. A single daily reception is adequate to keep the accuracy deviation under 1 second.
- In case the clock cannot detect the DCF-signal (for example due to disturbances, transmitting distance, etc.), the time can be set manually. The clock will then work as a normal quartz clock.

6.4 Manual setting

- Press the **SET/MIN/MAX** button for 3 seconds. "On" appears on the display. The DCF time is activated. To turn off the DCF time, press the **RESET/CH/+** button. "Off" appears on the display. Confirm with the **SET/MIN/MAX** button.
- "1" (1= default = DCF time) starts flashing. Using the **RESET/CH/+** button you can set the time zone (+12/-12). The time zone is used for the countries where the DCF signal can be received but the time zone is different from the DCF time (e.g. 2=one hour later).

RATIO – Wireless thermometer



- Press the **SET/MIN/MAX** button again. The 24 h digit is flashing. Press the **RESET/CH/+** button to choose 12 HR or 24 HR system. Confirm with the **SET/MIN/MAX** button.
- The minute digit is flashing. Press the **RESET/CH/+** button to adjust minutes. Confirm with the **SET/MIN/MAX** button. Set hours in the same way.
- Press the **SET/MIN/MAX** button again and with the **RESET/CH/+** button you can change between °C or °F as temperature unit.
- Press the **SET/MIN/MAX** button again.
- Press and hold the **RESET/CH/+** button in setting mode and you will enter fast mode.
- If DCF reception is on, the manually set time will be overwritten by the DCF time when the signal is received successfully.

6.5 Alarm setting

- Press the **SET/MIN/MAX** button in normal mode.
- 12:00 (default) is displayed or the last adjusted alarm time.
- Press and hold the **SET/MIN/MAX** button for three seconds.
- The minute digit is flashing. Press **RESET/CH/+** button to adjust minutes.
- Press the **SET/MIN/MAX** button again and you can adjust the hours with the **RESET/CH/+** button.
- Holding the **RESET/CH/+** button, you will enter fast mode.
- Confirm with the **SET/MIN/MAX** button and the display shows the current adjusted alarm time.
- Press the **RESET/CH/+** button and the alarm function is activated.
- The alarm symbol appears on the display.
- Press any button to stop the alarm.

7. Maximum/Minimum function

- Press the **SET/MIN/MAX** button in normal mode.
- The last adjusted alarm time appears on the display.
- Press the **SET/MIN/MAX** button again to show the minimum ("MIN") values of indoor and outdoor temperature. Press the **SET/MIN/MAX** button again to show maximum ("MAX") values.
- Press and hold the **RESET/CH/+** button for 2 seconds while the maximum or minimum values are displayed to clear the recorded maximum readings.

RATIO – Wireless thermometer



8. Additional transmitters

- If you like to connect additional transmitters (max. 3), repeat the installation procedure for all extra transmitters. The wireless thermometer will number the transmitters in the order of set-up automatically.
- If you have installed more than one transmitter, press the **RESET/CH/+** button to change between the outdoor transmitters. Display for channel 1 **1**, for channel 2 **2** or for channel 3 **3**.

9. Positioning of display unit and transmitter

- Choose a shady and dry position for the transmitter. (Direct sunshine falsifies the measurement and continuous humidity strains the electronic components needlessly).
- Place the display unit at the final position. Avoid the vicinity of any interfering field like computer monitors or TV sets and solid metal objects.
- Check the transmission of the signal from the transmitter to the display unit (transmission range 100 m free field, within ferro-concrete rooms, especially with metal parts, the received signal is naturally weakened).
- If necessary choose another position for transmitter and/or display unit.
- Use the bracket stand for mounting or standing when the signal is received successfully.

10. Care and maintenance

- Clean the instruments with a soft damp cloth. Do not use solvents or scouring agents.
- Remove the batteries if you do not use the products for a lengthy period.
- Keep the instruments in a dry place.

10.1 Battery replacement

- When the batteries are used up, the low battery indicator appears on the display (RX = base station, TX = transmitter).
- **Please note:**
When the batteries are changed, the contact between transmitter and display unit must be restored – so always insert new batteries into both units or start a manual transmitter search.

RATIO – Wireless thermometer



11. Troubleshooting

Problems	Solution
No indication	→ Ensure correct battery polarity → Change the batteries
No transmitter reception Display “---“	→ Start the transmitter search manually according to the manual → Check batteries of external transmitter (do not use rechargeable batteries!) → Restart the transmitter and the display unit according to the manual → Choose another place for the transmitter and/or the display unit → Reduce the distance between the transmitter and the display unit → Check if there is any source of interference
No DCF reception	→ Wait for attempted reception during the night → Choose another place for the instrument → Check if there is any source of interference → Restart the device according to the manual → Set the clock manually
Incorrect indication	→ Change the batteries

12. Waste disposal

This product has been manufactured using high-grade materials and components which can be recycled and reused.



Never dispose of empty batteries and rechargeable batteries in household waste. As a consumer, you are legally required to take them to your retail store or to appropriate collection sites depending on national or local regulations in order to protect the environment.

RATIO – Wireless thermometer



The symbols for the heavy metals contained are:
Cd=cadmium, Hg=mercury, Pb=lead

This instrument is labelled in accordance with the EU Waste Electrical and Electronic Equipment Directive (WEEE).

Please do not dispose of this instrument in household waste. The user is obligated to take end-of-life devices to a designated collection point for the disposal of electrical and electronic equipment, in order to ensure environmentally-compatible disposal.

13. Specifications

Basic unit:

Measuring range	
Indoor temperature:	0...+60°C (+32...+140°F)
Precision:	±1°C
Power consumption:	2 x 1,5 V AA (Batteries not included)
Dimensions:	68 x 29 (78) x 113 mm
Weight:	86 g (instrument only)

Outdoor transmitter:

Measuring range	
Outdoor temperature:	-40...+65°C (-40...+149°F)
Precision:	±1°C
Transmission frequency:	433 MHz
Maximum radio-frequency power:	< 10mW
Distance range (free field):	100 m

RATIO – Wireless thermometer



Power consumption:	2 x 1,5 V AAA (Batteries not included)
Dimensions:	36 (46) x 16 (30) x 120 (123) mm
Weight:	33 g (instrument only)

No part of this manual may be reproduced without written consent of TFA Dostmann. The technical data are correct at the time of going to print and may change without prior notice.

The latest technical data and information about your product can be found by entering your product number on our homepage.

EU declaration of conformity

Hereby, TFA Dostmann declares that the radio equipment type 30.3034.01 is in compliance with Directive 2014/53/EU. The full text of the EU declaration of conformity is available at the following internet address:

www.tfa-dostmann.de

E-Mail: info@tfa-dostmann.de

TFA Dostmann GmbH & Co. KG,
Zum Ottersberg 12, D-97877 Wertheim, Germany

09/16